

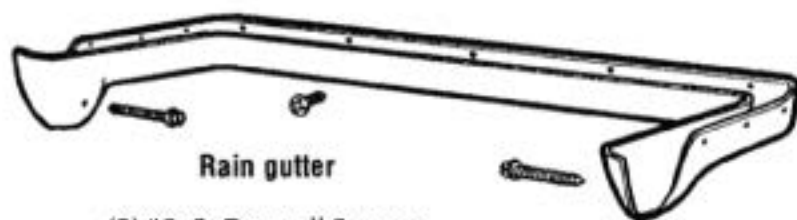


Gaylords Tech Department is constantly making the best better, here are some common hardware renderings which might be slightly different upon arrival. For ANY installation questions please email us [Kris@gaylordslids.com](mailto:Kris@gaylordslids.com)

please visit us on the web for any additional Info @ [WWW.GAYLORDSLIDS.COM](http://WWW.GAYLORDSLIDS.COM)

## 78-87 EL CAMINO BED COVER - PART # 11019SNNCN

Gaylord's would like to thank you for your custom lid purchase. We greatly appreciate the sale and strive to produce top quality custom bed covers for your custom classic!



Rain gutter

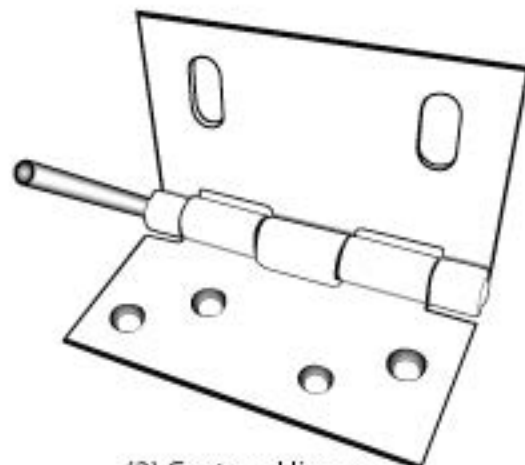
(2) #8x3 Drywall Screws



(22) SELF TAPPERS  
(DRAIN, SHOCK MOUNTS, STRIKERS)



(8)  
FLAT HEADS  
(HINGES)



(2) Custom Hinges

(2) 20" 80 lbs Shock



Dual Locks and Keys (2)



(2)  
Striker Bracket



(2) Shock Mount's



Page 1

**WARNING:** If you are not familiar with the use of hand tools or are not accustomed to working on motor vehicles, have a dealer or accessory shop install the Kustom Lid. Carefully read all the instructions prior to attempting to fit the Lid. Before fitting the Lid, park the vehicle on level ground in a well lit area and apply the emergency brake. After installation, check that the Lid works correctly and securely locks shut. Periodically check all fasteners for tightness. Retighten only the loose fasteners. When using power or hand tools, always wear the correct protective clothing recommended by the tool manufacturer.

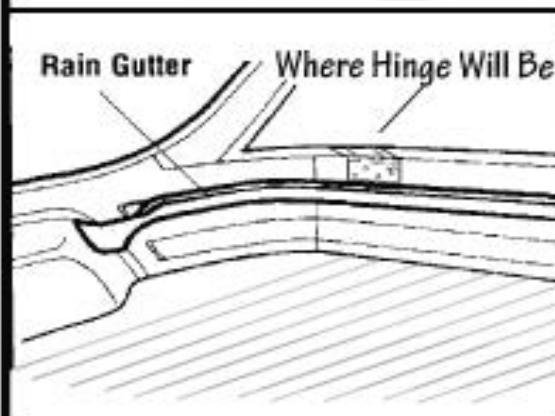


# Installation Instructions. 68-72 El Camino

Visit our Site for any Additional Info @ [WWW.GAYLORDSLIDS.COM](http://WWW.GAYLORDSLIDS.COM)



The drain location might vary slightly, please use this as a guide to help ease the install.



## 1 Installing The Drain Trough to The Bed.

Before installing the lid, you must install the drain trough, helping to keep unwanted water out! Step 2 shows how to mark the location of the drain prior to removing it to drill the actual drain holes through the wheel wells.



## 2 Determining The Location of The Drain.

This photo is showing how to mark the exact location of the drain trough on the bed. When you remove it, drilling the holes will be easy because the trough location was pre marked.



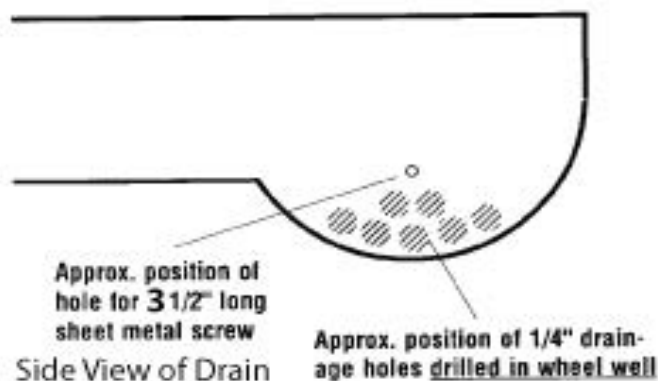
Trough removed and drain holes being drilled.

## 3 Trough Removed Drilling Drain Holes

Once the trough is removed drill (7)..1/4" holes into the fender well starting about 3/4" from where the bottom of trough will be. You can use the illustration at the bottom as a guide. Once this is completed use the self tapping screws to install the drain onto the bed. There is a pre started spot on each drain pocket for the 3.5" Hex head self tappers to go through.

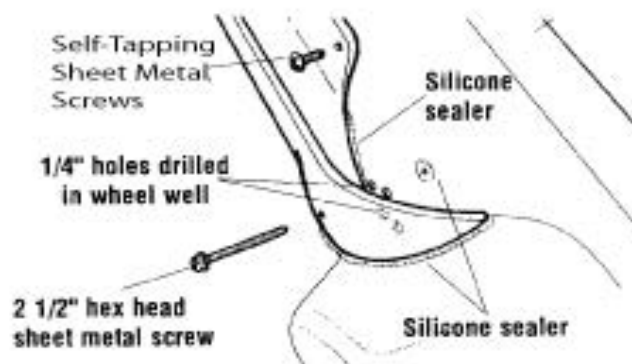
## 4 Sealing The Drain Trough!

You may now seal the trough to the bed with BLACK sealant. We suggest applying it around the bottom of the trough all the way around and around the inside edge.



Approx. position of hole for 3 1/2" long sheet metal screw  
Side View of Drain

Approx. position of 1/4" drainage holes drilled in wheel well



Page 2

Top View of Drain

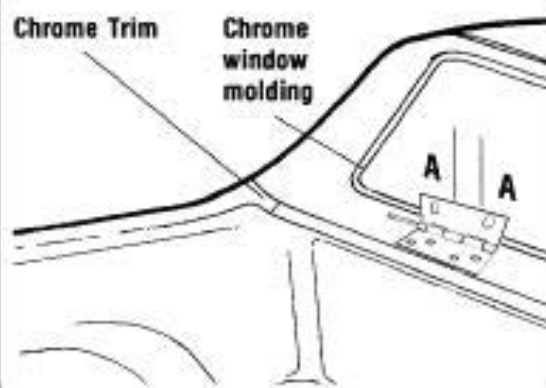
# Installation Instructions. 78-87 El Camino

Visit our Site for any Additional Info @ [WWW.GAYLORDSLIDS.COM](http://WWW.GAYLORDSLIDS.COM)



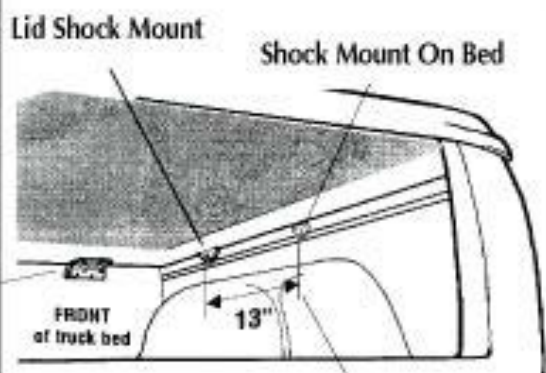
## Square The Lid Up On The Bed

- Set the lid on the truck and square it up to your preferences, the lid should sit about 1/4" from the tailgate. There will be a slight gap at the front, which will allow water to fall from the lid into the drain trough when the lid is opened.



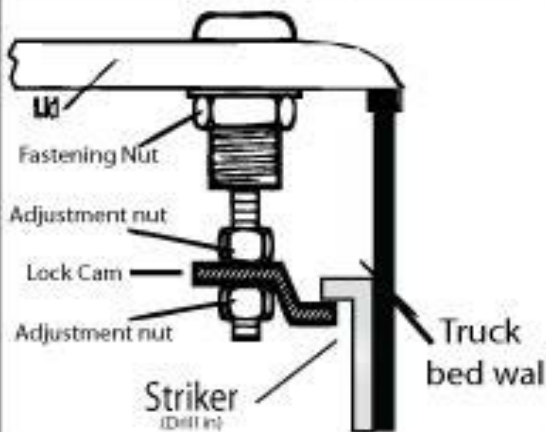
## Drilling In The Front Tabs

- With the help of another person position the lid on the truck bed as desired. Lift the lid carefully and open up the tailgate lowering the lid back to the exact same spot. With a flashlight crawl into the bed, loosen the nuts securing the hinge to the lid moving them so they are snug and square against the truck bed. Tighten the nuts back up once the correct position is achieved. You can mark the holes with a china marker, pull the lid off and mount just the hinge plate and set the lid back on, or drill it in place while your under the cover. We suggest drilling two screws on each side and then cycling the lid up and down to verify all adjustments before installing the remaining screws.



## Installing The Shock Mount

- Measure back 13" from the shock mount on the lid (towards tailgate) make a small mark on the bed of the location to mount the shock. Lift the lid open (prop it up with a stick) and drill in the shock mount to the bed side where you have previously marked.



## Drilling Striker Bracket Into Bedside

- Once the lid is installed properly you must now install the strikers. Assemble the lock as shown and use it to determine the best place to mount the striker. Normally its at the top of the bed side. The one in the illustration to the left could be slightly lower then where they need to be. The black self tappers are the suggested.
- Your finished! Enjoy your beautiful new Gaylord's lid and please periodically check the hardware to ensure everything stays tight.